

PAMS Technical Documentation

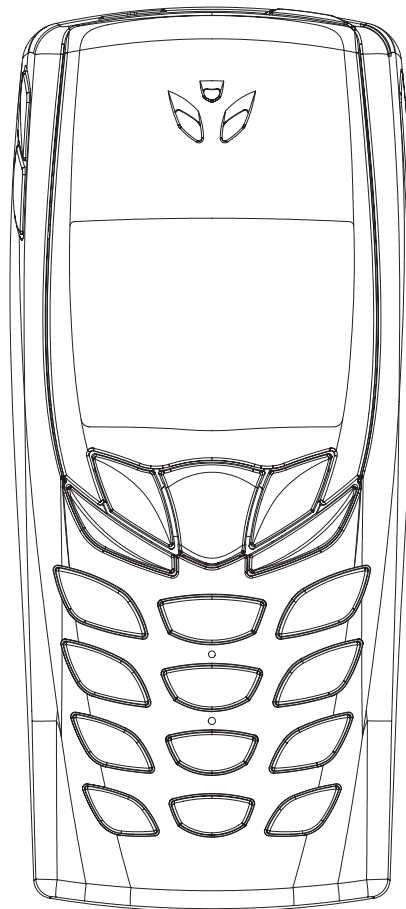
NPM-9 Series Transceivers

Product Variants

CONTENTS

Transceiver NPM-9 3
 Modules 4
 Exploded View of Transceiver NPM-9 5
 Assembly Parts of NPM-9 6

Transceiver NPM-9



The NPM-9 is a dual band transceiver unit designed for the GSM900 (including EGSM) and GSM1800 networks. It is both GSM900 phase 2 power class 4 transceiver (2W) and GSM1800 power class 1 (1W) transceiver.

Transceiver main HW parts / features are:

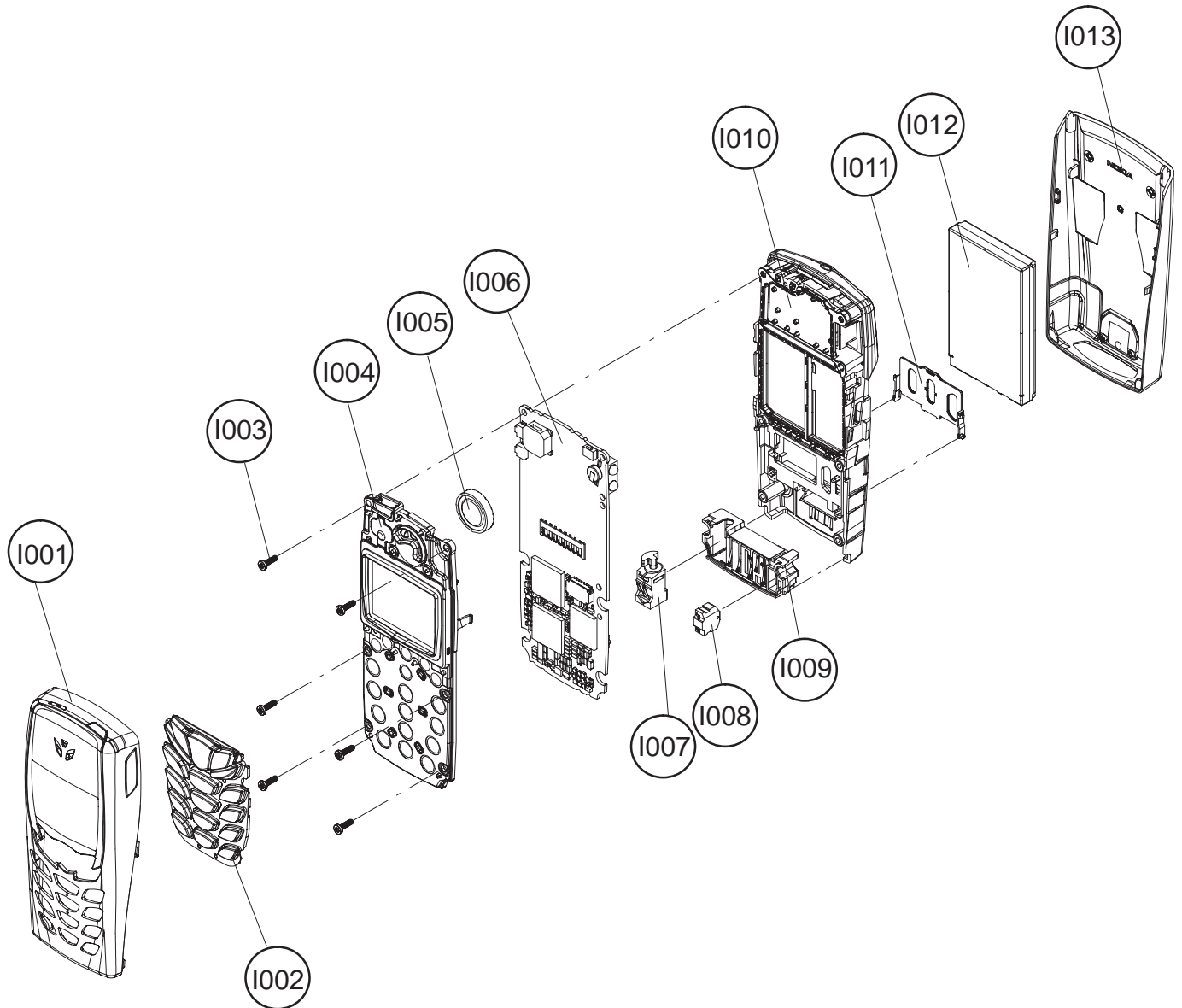
- GPRS
- Integrated FM radio
- Full graphic display
- Jack style UI with two soft keys
- Integrated IR link & internal data
- Internal vibra
- Plug & play HF support
- Plug-in SIM card below the back cover of the phone
- Back mounted antenna (no connection for external antenna)

NOTE: **The Service Manual is intended for use by qualified service personnel only.**

Modules

NPM-9 Basic Transceiver EUR	0507073
• system module LA5	0201815
• LU9 UI module EUROPE	0201868
• NPM-9 assembly parts	0262659
• SW module	0242619
NPM-9 Basic Transceiver TMC	0506143
• system module LA5	0201886
• LU9 UI module APAC	0201817
• NPM-9 assembly parts	0262659
• SW module	0242619
NPM-9 Basic Transceiver BNMT	0507343
• system module LA5	0201887
• LU9 UI module APAC	0201817
• NPM-9 assembly parts	0262659
• SW module	0242619
B-COVER ASSY	9458255
A-cover assy dark blue APAC	9458329
A-cover assy greyish green APAC	9458332
A-cover assy beige EUROPE	9458252
Battery cover assy dark blue APAC	9458324
Battery cover assy greyish green APAC	9458327
Battery cover assy beige EUROPE	9458254
9794080	Keymat Arabic / Light DMC04720-EN
9794078	Keymat Bopomofo / Dark DMC04718-EN
9794077	Keymat Bopomofo / Light DMC04717-EN
9794081	Keymat Cyrillic_Russian / Light DMC04721-EN
9794092	Keymat Cyrillic_Greek / Light DMC04842-EN
9794079	Keymat Hebrew / Light DMC04719-EN
9794066	Keymat Latin / Dark DMC04522-EN
9794062	Keymat Latin / Light DMC04442-EN
9794068	Keymat Stroke / Dark DMC04524-EN
9794067	Keymat Stroke / Light DMC04523-EN
9794076	Keymat Thai / Dark DMC04716-EN
9794073	Keymat Thai / Light DMC04715-EN

Exploded View of Transceiver NPM-9



Assembly Parts of NPM-9

CIRCUIT REF./ ITEM	Q'TY	CODE	DESCRIPTION	VALUE, TYPE
I001		9458329	A-COVER.ASSY NPM-9 Dark Blue APAC	
		9458332	A-COVER.ASSY NPM-9 Greyish Green APAC	
		9458252	A-COVER.ASSY NPM-9 Beige EUROPE	
I002		9794080	Keymat Arabic / Light DMC04720-EN	
		9794078	Keymat Bopomofo / Dark DMC04718-EN	
		9794077	Keymat Bopomofo / Light DMC04717-EN	
		9794081	Keymat Cyrillic_Russian / Light DMC04721-EN	
		9794092	Keymat Cyrillic_Greek / Light DMC04842-EN	
		9794079	Keymat Hebrew / Light DMC04719-EN	
		9794066	Keymat Latin / Dark DMC04522-EN	
		9794062	Keymat Latin / Light DMC04442-EN	
		9794068	Keymat Stroke / Dark DMC04524-EN	
		9794067	Keymat Stroke / Light DMC04523-EN	
		9794076	Keymat Thai / Dark DMC04716-EN	
		9794073	Keymat Thai / Light DMC04715-EN	
I003	6	6150051	Screw M1.6X5.5 T6 17 Ncm torque	DMD07562
I004		0201817	UI Module LU9 APAC	
		0201868	UI Module LU9 EUROPE	
I005		5140067	Speaker + spring	
I006		0201815	LA5 Radio Module – Salo	
		0201886	LA5 Radio Module – TMC	
		0201887	LA5 Radio Module – BNMT	
I007		6800055	Vibra Motor assy	
I008		5140205	Microphone assy	
I009		5460049	System connector	
I010		9458255	B-cover assembly	
I011		9460377	SIM Card Cover (incl. in B-cover assy)	DMD06170
I012		0670246	Battery BLB-2 Li-ion	
I013		9458324	BATTERY COVER ASSY NPM-9 Dark Blue APAC	
		9458327	BATTERY COVER ASSY NPM-9 Greyish Green APAC	
		9458254	BATTERY COVER ASSY NPM-9 Beige EUROPE	